

HONDA CB125R '18 - / CB300R '18 -

REF 9734

CARENABRÍS / WINDSHIELD / WINDSCHUTZSCHEIBE
NAKED NEW GENERATION



1 Person



15 min



EASY



ALLEN



N° 5
N° 4
N° 3

ID.	PIEZA / PART	DESCRIPCIÓN	DESCRIPTION	QTY.	REF.:
1		Cúpula Sport	Sport screen	1	10639F/H/N/WM3
2		Soporte izquierdo	Left support	1	SOPOR-2P-8-9734
3		Soporte derecho	Right support	1	SOPOR-2P-8-9734
4		Casquillo Ø8xØ13x12	Ø8xØ13x12 bush	2	CASQUI-M----769
5		Tornillo allen M5x30 Ø11 ISO7380	M5x30 Ø11 ISO7380 allen screw	2	TORNI-I7380-767
6		Casquillo Ø8,5xØ14x22	Ø8,5xØ14x22 bush	2	CASQUI-----150
7		Tornillo allen M5x40 Ø11 ISO7380	M5x40 Ø11 ISO7380 allen screw	2	TORNI-I7380-774
8		Silentblock M5	M5 silentblock	4	SILENBTM5-046/1
9		Arandela nylon M5x1	M5x1 nylon washer	4	ARNV0000000245
10		Tornillo allen M5x16 Ø11 ISO7380	M5x16 Ø11 ISO7380 allen screw	4	TORNI-I7380-493
11		Tapón tornillo M5 ISO7380	M5 ISO7380 screw cap	4	TAPON-----85

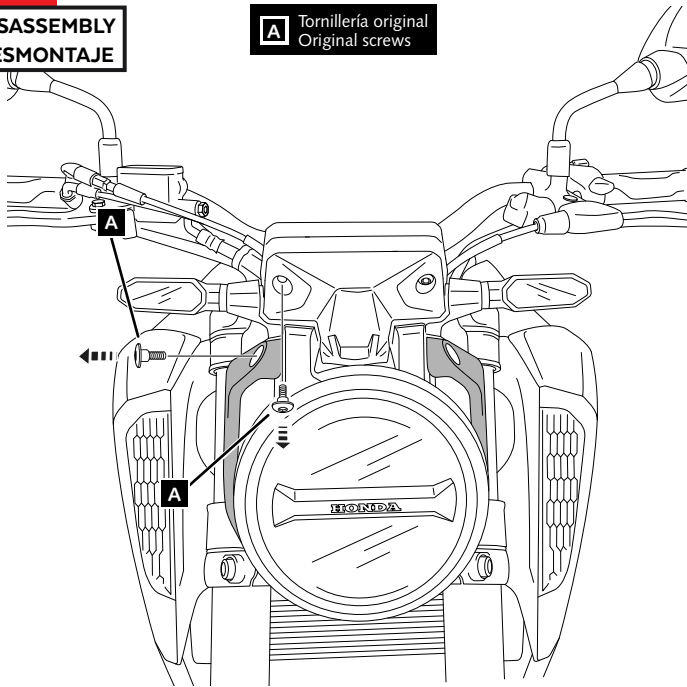
HONDA CB125R '18 - / CB300R '18 -

INSTRUCCIONES DE MONTAJE - MOUNTING INSTRUCTIONS - MONTAGEANLEITUNG

1

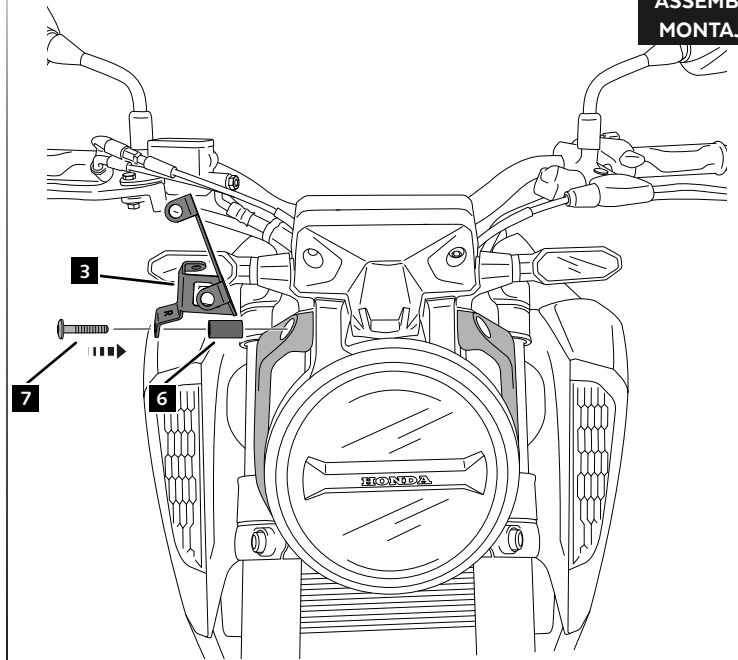
**DISASSEMBLY
DESMONTAJE**

A Tornillería original
Original screws



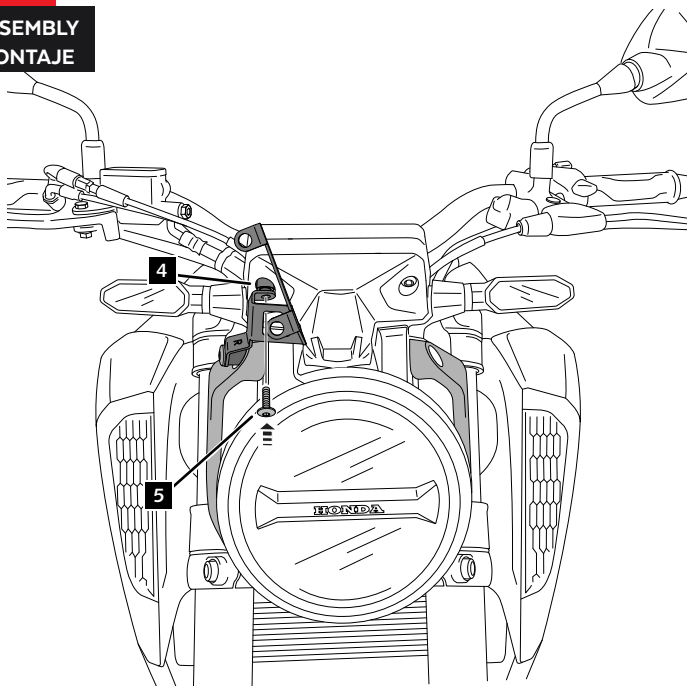
2

**ASSEMBLY
MONTAJE**



3

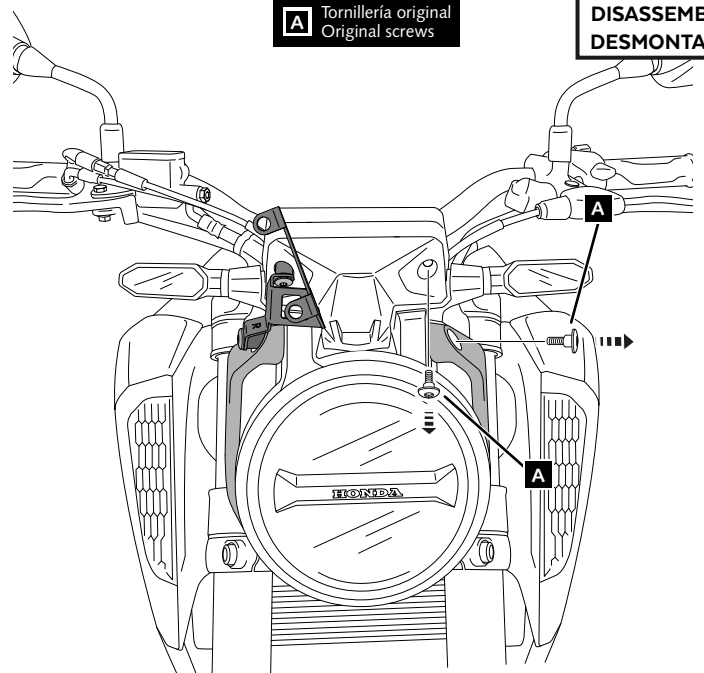
**ASSEMBLY
MONTAJE**



4

A Tornillería original
Original screws

**DISASSEMBLY
DESMONTAJE**

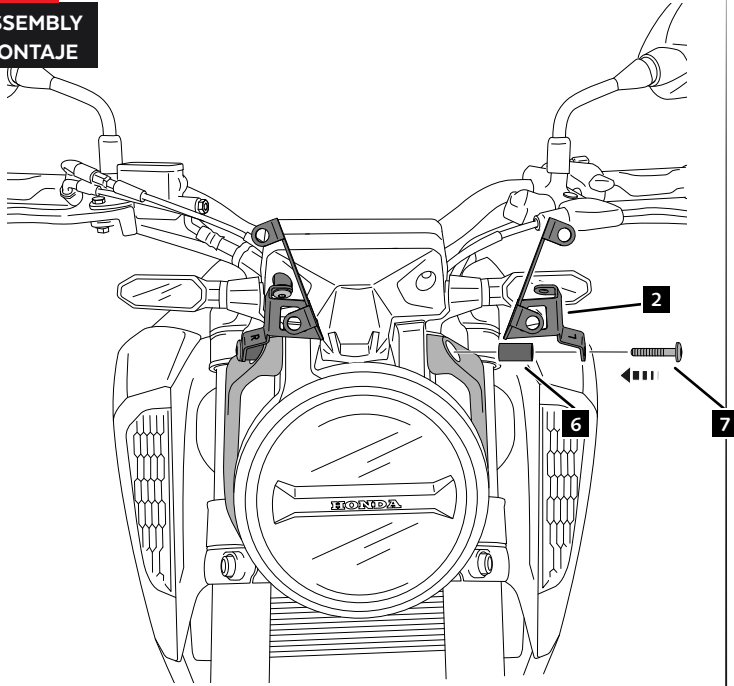


HONDA CB125R '18 - / CB300R '18 -

INSTRUCCIONES DE MONTAJE - MOUNTING INSTRUCTIONS - MONTAGEANLEITUNG

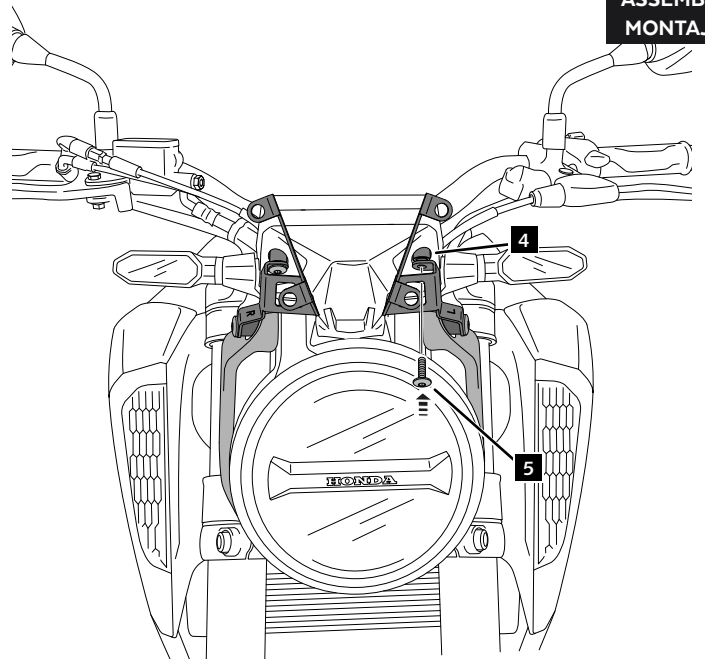
5

ASSEMBLY
MONTAJE



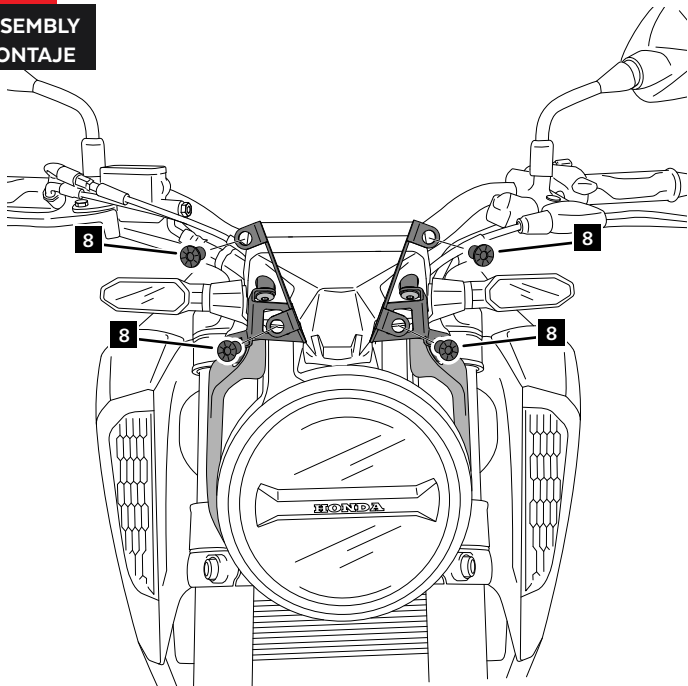
6

ASSEMBLY
MONTAJE



7

ASSEMBLY
MONTAJE



8

ASSEMBLY
MONTAJE

